

IB850 Gas fire



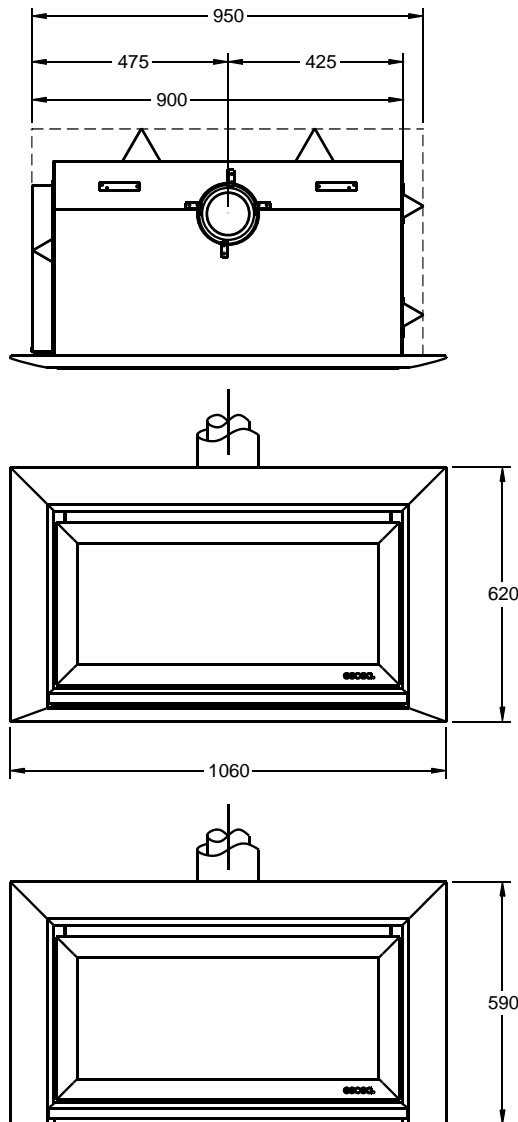
Information sheet for builders and architects.

Creating the Cavity:

The dimensioned drawing below shows the minimum size of opening that must be created to keep combustible materials the required distance from the heater.

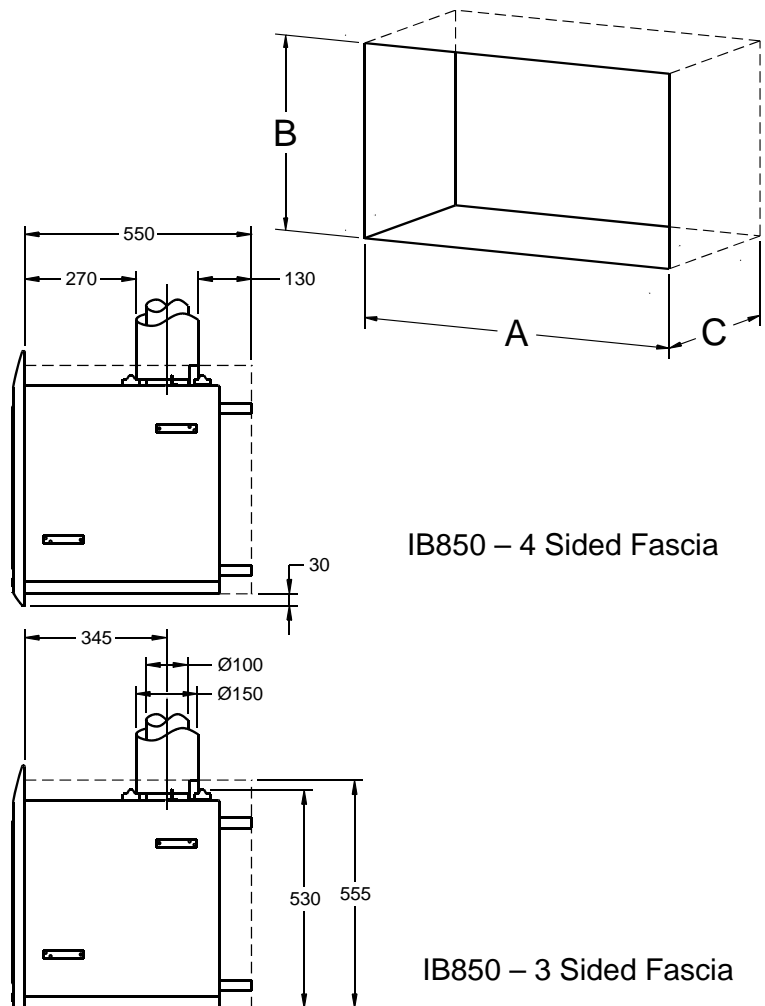
The wall board that lines the outside of this opening can be normal dry wall (Gib Board) and does not need to be non-combustible providing that it does not come any closer to the fire than the dimensions below show.

Product Dimensions: (in mm)



Minimum Cavity Dimensions (mm):

	A	B	C	
IB850	980	565	555	for timber framed walls
IB850	930	530	500	for masonry cavities



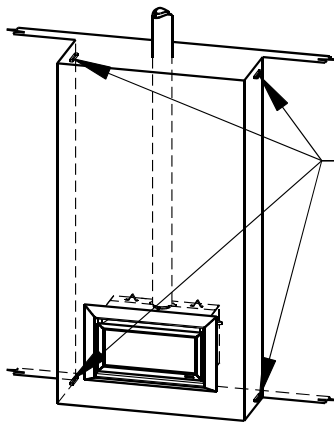
Gas Specifications:

- Heat output = 9.0Kw
- Gas Input = 42Mj/h
- Gas Connection = Front RH corner of heater
- Electrical Connection = 240V 3 Pin plug within 1.2m of the rear LH corner of heater

Flueing the heater:

This heater is to be conventionally flued with a 100mm dia flue system, in accordance with the requirements of NZS 5261. A power flue system is also available, please ask your agent, or visit our web site for details on this.

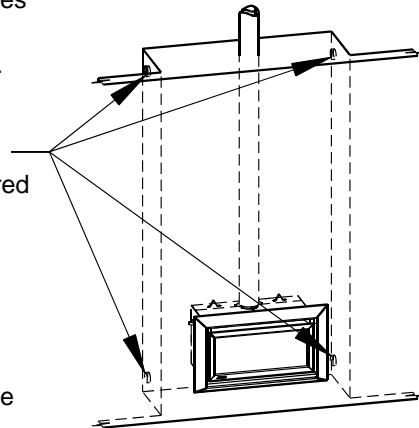
Internal Wall Installation



Four 20mm x 100mm square holes (position so they are as discrete as possible). 2 top and 2 bottom.

Four Ø80mm holes. 2 top and 2 bottom covered with a suitable luvre.

External Wall Installation



Floor of cavity:

This appliance **MUST** be installed on a non-combustible floor. This can be in the form of concrete (minimum thickness 20mm) or non-combustible fiber board (minimum thickness 10mm). Options include Micore 160, Promina, Ederpan LD and Supalux.

Hearth:

If this fire is being installed at floor level a hearth made from non-combustible material must extend *no less than 300mm from the front of the fire*. This hearth should be at least as wide at the fire's outer fascia and no less than 10mm thick. The floor in front of this hearth will still get warm so if floor covering is vinyl, nylon carpet or other heat sensitive material then we recommend extending the hearth to 450mm in depth.

If you plan to cover the hearth with a veneer such as tiles remember to keep the base of the fire level with the top of the hearth covering.

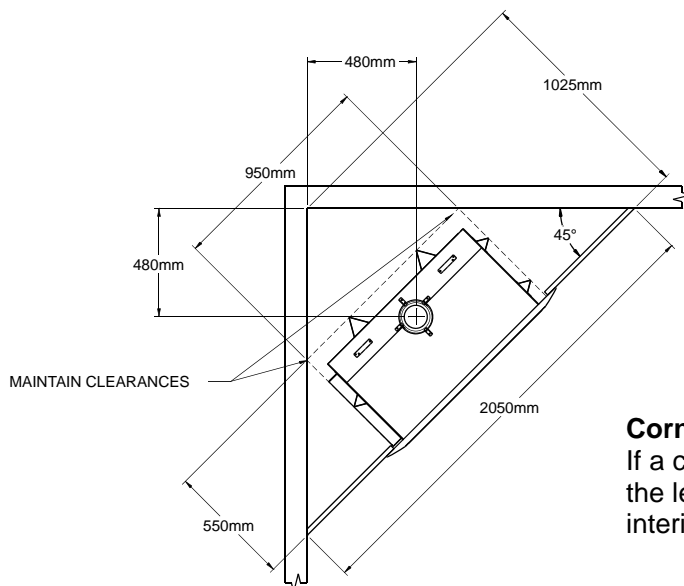
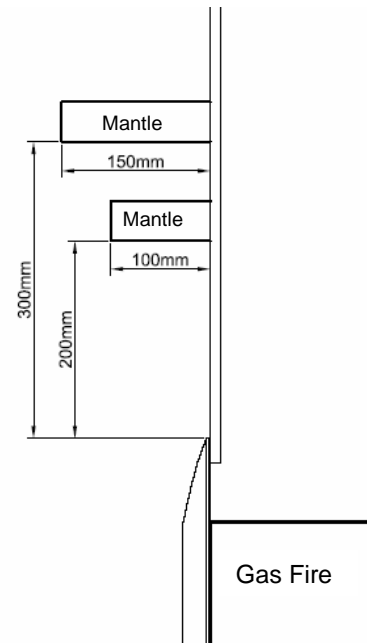
Raising the fire up a wall:

If the fire is being located where its base is any more than **100mm** up off the ground, no hearth is required. Escea recommend using our four sided fascia. (Available from your Escea dealer).

The floor of the cavity still needs to be covered in a non combustible material as described above.

Mantle Clearance:

Please refer to diagram below. Mantles or protruding ledges mounted above the heater that are made from combustible materials, must not extend out side of the dimensions shown.



Corner Installations:

If a cavity is to be created in a corner the picture to the left gives the approximate minimum sized interior wall and resultant flue position.